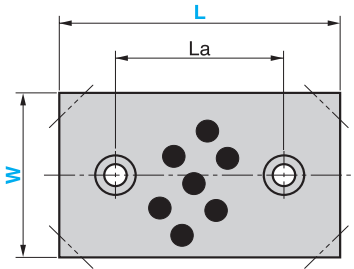




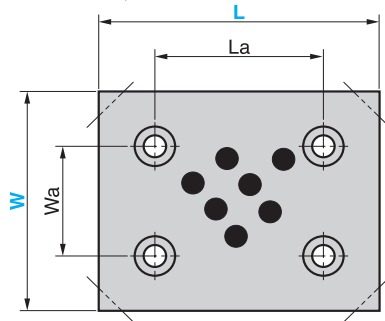
**BUWP**  
**BUWPC** (4-C chamfering Type)



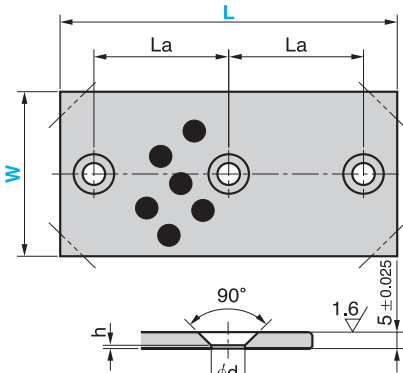
- W= 18 to 38, L= 50 to 100  
W= 48, L= 75 to 125



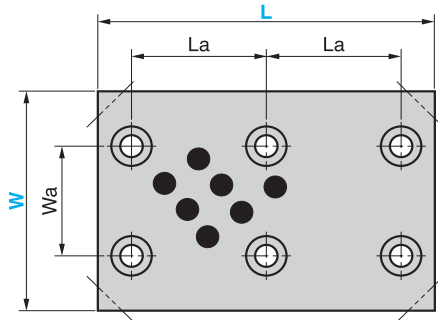
- W= 75, L= 75 to 125  
W= 100, L= 100 and 125



- W=18 to 48, L=150

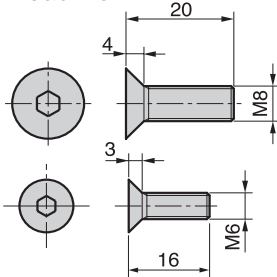


- W= 75 and 100, L= 150

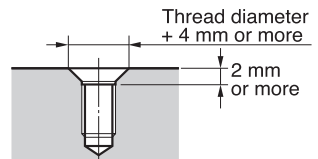


When tapped holes for mounting are drilled on the mating part, chamfer corners as shown below .

• Flat Head Bolt



• Sliding Direction



Material : Bronze with Graphite (CAC304+GR)  
Accessory : Flat Head Bolt



# Slide Plate – Bronze Type (Thickness 5mm)

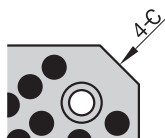
Wa	La	d	h	Mounting Bolt	Catalog No.	W	L
-	20	6.5	1.5	M6		18	50
	45						75
	70						100
	60						150
-	20					28	50
	45						75
	70						100
	60						150
-	20				BUWP BUWPC	38	50
	45						75
	70						100
	60						150
-	45	10	0.8	M8		48	75
	70						100
	95						125
	60						150
45	45					75	75
	70						100
	95						125
	60						150
70	70					100	100
	95						125
	60						150



Order

Catalog No.	W	—	L
BUWP	75	—	150
BUWPC	48	—	100

●BUWPC 4-C chamfering specification



W	Size of chamfering
28	10
38	13
48	
75	17
100	

■ We are ready to accept requests or orders for special parts.