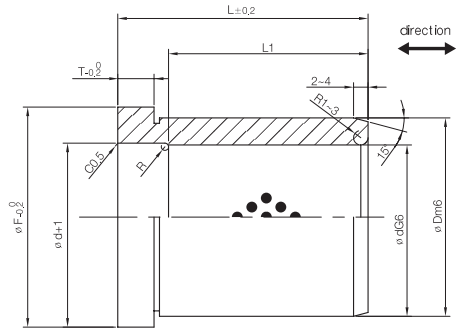




BGBF



Material #500SP (CAC30 4+Gr)

products code	dG6	Dm6	F	T	L	L1	
BGBF	12	18	+0.018 +0.007	25	4	19	19
						24	24
						29	29
						34	34
	16	+0.017 +0.006	25	30	6	19	19
						24	24
						29	29
						34	30
						39	30
						49	30
	20	+0.021 +0.008	30	35	8	24	24
						29	29
						34	34
						39	39
						49	40
						59	40
						24	24
						29	29
	25	+0.020 +0.007	35	40	8	34	34
						39	39
						49	49
						59	50
						69	50
						29	29
34						34	
39						39	
49						49	
59						60	
30	+0.025 +0.009	42	47	10	29	29	
					34	34	
					39	39	
					49	49	
					59	59	
					69	60	

products code	dG6	Dm6	F	T	L	L1						
BGBF	35	48	+0.025 +0.009	54	10	39	39					
						49	49					
						59	59					
						69	69					
						79	70					
						89	70					
						99	70					
						40	+0.025 +0.009	55	61	10	39	39
											49	49
	59	59										
	69	69										
	79	79										
	89	80										
	99	80										
	109	80										
	50	+0.030 +0.011	70	76	12						49	49
						59	59					
						69	69					
						79	79					
						89	89					
						99	90					
						109	90					
						119	90					
						99	99					
	60	+0.025 +0.009	80	86	15	109	109					
						119	110					
						129	110					
						149	110					
						99	99					
						109	109					
	80	+0.029 +0.010	100	108	15	119	119					
						129	120					
						149	120					
						99	99					
						109	109					
						119	119					

Order/ex Catalog No. - d - L  
BGBF - 30 - 49