

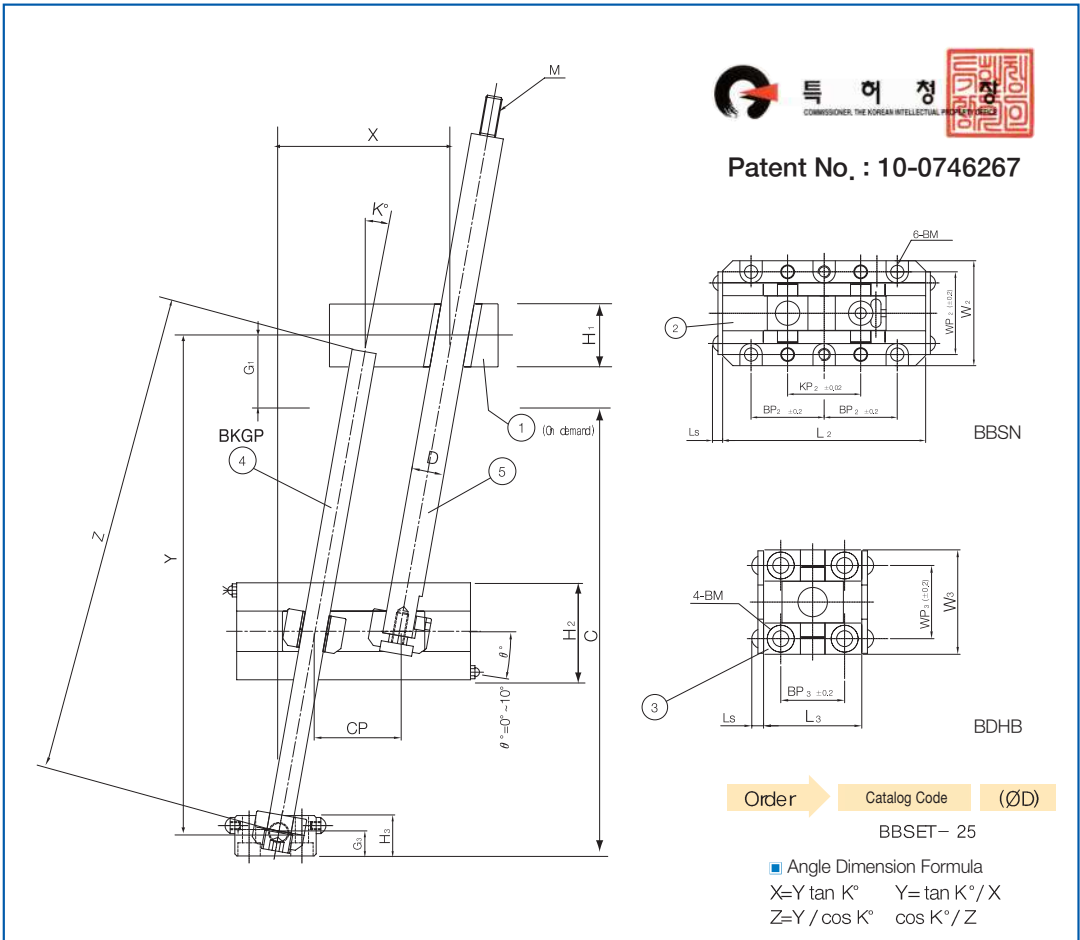
BBSET



■ Non-lubricant Universal Slide Core Unit - Advantage

- This slide unit leads the angular pin to slide in smooth way when core moves inclined injection including any undercut.
- This slide unit adjusts by itself center, therefore it prevents wear and stick of the guide and the slide plate.
- It's changeable with BDSET core unit set.

No.	Description	Q'ty	Material
1	Guide Rod Set	1	SCM440
2	Core unit Set (Controllable type)	1	SCM440
3	Guide Block Set	1	SCM440
4	Core Shaft	1	SUJ-2
5	Guide Shaft	1	SUJ-2



Order → Catalog Code (ØD)

BBSET- 25

■ Angle Dimension Formula

$$X=Y \tan K^\circ \quad Y= \tan K^\circ / X$$

$$Z=Y / \cos K^\circ \quad \cos K^\circ / Z$$