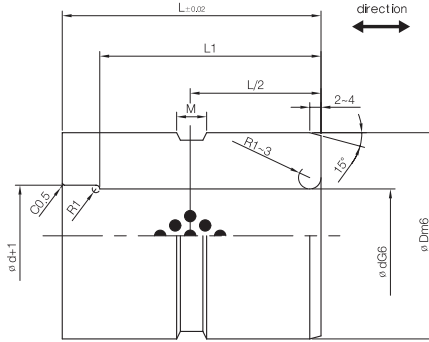




BGBS



Material #5 00SP (CAC304+Gr)



products code	dG6	Dm6	L	L1	M					
BGBS	12	18	+0.018	19	19	4				
			+0.007	24	24					
			16	25	+0.017 +0.006		+0.021 +0.008	19	19	6
								24	24	
	29	29								
	34	34								
	39	35								
	19	19				4				
	20	30	+0.025 +0.009	+0.030 +0.011	24	24	6			
					29	29				
					34	34				
					39	39				
					49	40				
					24	24		8		
	29	29								
	34	34								
	39	39								
	49	49								
	59	50								
	30	42	+0.020 +0.007	+0.025 +0.009	29	29	8			
34					34					
39					39					
49					49					
59					59					
69					60					
				79	60					

products code	dG6	Dm6	L	L1	M		
BGBS	35	48	+0.025 +0.009	29	29	8	
					34		34
					39		39
					49		49
					59		59
					69		69
					79		70
					39		39
	49	49					
	59	59					
	69	69					
	79	79					
	89	80					
	50	70	+0.030 +0.011	69	69	10	
					79		79
					89		89
					99		90
					59		59
					69		69
	60	80	+0.029 +0.010	79	79	10	
89					89		
99					90		
109					90		
69					69		
79					79		
80	100	+0.035 +0.013	89	89	10		
				99		99	
				109		100	
				119		100	
				69		69	
				79		79	

Order/ex Catalog No. - d - L
 BGBS - 30 - 49