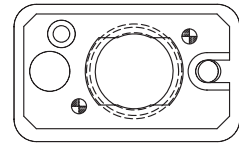
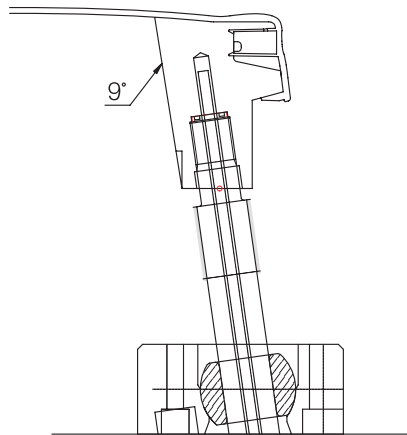
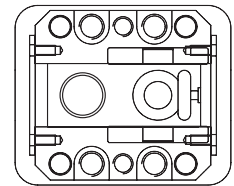
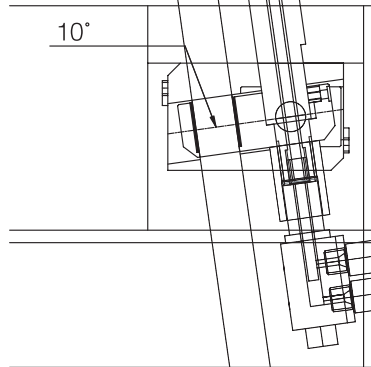


※ WARNING - Don't too much press power when you assemble this merchandise

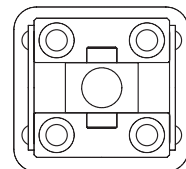


BDGA20



BDDW 20

IN OUT
IN OUT



BDHB20-16

FASTENING TORQUE(Nm)

Screw Shank(mm)	MAX Torque(Nm)
M6	7,5
M8	8,9
M12	26,6

Warning- Don't press too much pressure on screw parts when fastening WTDW/WTD to avoid any breakdown, (M-P) Screw pitch position might be changed,