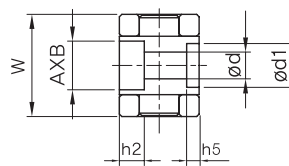
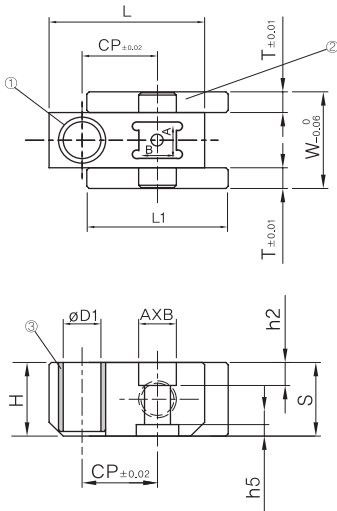


BDNS



Patent No. : 10-0802150

No	Description	Q'ty	Material
1	Core shaft Block	1	SCM440
2	Guide Plate	2	#500SP(CAC304+Gr)
3	Bushing	1	DU



Order → Catalog Code AXB
BDNS - 10×12

A×B	$\phi D1$	W	W1	T	L	L1	CP	S	H	h2	h5	ϕd	$\phi d1$
8×8	6	19	10	4.5	33	30	15	16	16	4	-	4.5	-
10×10	8	21	12	4.5	39	30	20	16	16	4	-	5.5	-
12×12	10	30	17	6.5	43	35	20	20	16	4	-	5.5	-
16×16	12	33	20	6.5	51	40	25	20	18	5	3	9	16
20×20	16	38	25	6.5	61	40	30	24	22	5	5.5	11	20
25×25	20	45	31	7	70	45	35	26	26	6	5.5	11	20
30×30	25	51	36	7.5	80	55	40	30	30	6	3.5	11	20
35×35	30	60	42	9	92	70	45	34	36	8	4	13	26
40×40	35	67	47	10	100	80	50	38	40	8	4	13	26