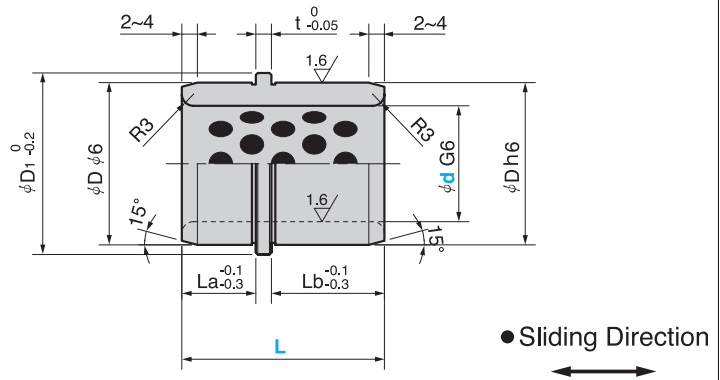


**BEGBL**  
**BEGBLH** (For Large Die)

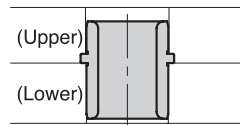


Material : Bronze with Graphite (CAC304+GR)

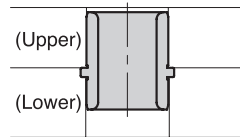
■ Criteria for BEGBL (Relation between dimension L and upper/lower plate thickness)

Ejector plate thickness						Guide Bushing BEGBL		
Lower plate as master		Upper plate as master		Spacer method		d	L	t
Upper	Lower	Upper	Lower	Upper	Lower			
						20		
15	20	20	20	15	20	25	33	4
						30		
20	20	20	20	20	20	20		
						25	37	4
						30		
20	25	25	30	20	25	25		
						30	42	4
						35		
						40	43	8
				25	30	30	52	4
25	30	30	40			35		
						40	53	8
						50		
				30	40	40		4
30	40	40	40			35		
						40	68	8
						50		

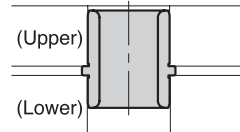
● Lower plate as master



● Upper plate as master



● Spacer method



**BK** Ejector Guide Bushing – Long Type

d G6		D	h6	D1	La	Lb	t	Catalog No.	d	L
20		30	$\begin{matrix} 0 \\ -0.013 \end{matrix}$	34	10	19			20	33
					14					37
25	$\begin{matrix} +0.020 \\ +0.007 \end{matrix}$	35		40	10	19			25	33
					14					37
30		42	$\begin{matrix} 0 \\ -0.016 \end{matrix}$	47	10	19	4		30	33
					14					37
35		48		53	14	24		BEGBL		42
					14					42
					19					52
					14					42
40	$\begin{matrix} +0.025 \\ +0.009 \end{matrix}$	55		61	11	24			40	43
					16					53
50		65	$\begin{matrix} 0 \\ -0.019 \end{matrix}$	71	21	39	8		50	68
					16					53
40	$\begin{matrix} +0.025 \\ +0.009 \end{matrix}$	55		61	16	24			40	48
					21					58
50		65	$\begin{matrix} 0 \\ -0.019 \end{matrix}$	71	21	29	8	BEGBLH	50	58
					31					78
60	$\begin{matrix} +0.029 \\ +0.010 \end{matrix}$	76		84	31	39			60	78
					41					98



Order

Catalog No.	d	-	L
BEGBL	30	-	37
BEGBLH	50	-	78