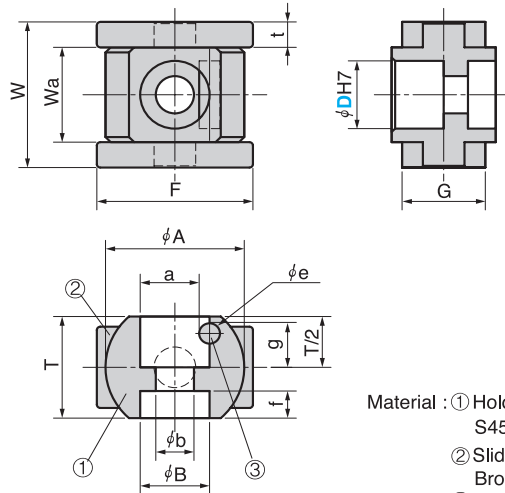




BPHF



Material : ① Holder
S45C (I C45 A 1045)
② Slide Plate
Bronze with Graphite
③ Loosening Lock
SK5M

D	W	Wa	F	t	G	A	a	T	g	f	B	b	e
8	24	12	25	6	13	20	7.5	16	6.5	5	10	5	3
10	28	14	32	7	17	20	8.5	16	6.5	4	12	6	3
12	31	17	40	7	20	25	10	20	8.5	5	13	7	4
16	36	21	45	7.5	24	30	13	24	10	6	16	9	6
20	43	28	45	7.5	24	40	17	30	13	8	20	11	6
25	48	33	50	7.5	26	45	22	35	14	9.5	25	14	6
30	55	38	60	8.5	30	50	27	38	15	9	25	14	6
35	64	44	70	10	34	55	31	40	15	10	25	14	8
40	72	50	80	11	38	60	36	43	16	11.5	32	18	8

Catalog No.	D
	8
	10
	12
BPHF	16
	20
	25
	30
	35
	40



Inclined Pin Mounting Bolt

D	BPHF	BCPHF
8	M 4×10	-
10	M 5×12	M 5×12
12	M 6×14	M 6×14
16	M 8×20	M 8×20
20	M10×25	M10×25
25	M12×30	M12×30
30	M12×30	M12×30
35	M12×30	M12×30
40	M16×35	M16×35



Order

Catalog No.

BPHF

D

20

⚠ Standard parts of BPHF $\phi 8$ to $\phi 12$ and $\phi 35$ or larger will be abolished at the end of March 2008. Please use BCPHF.